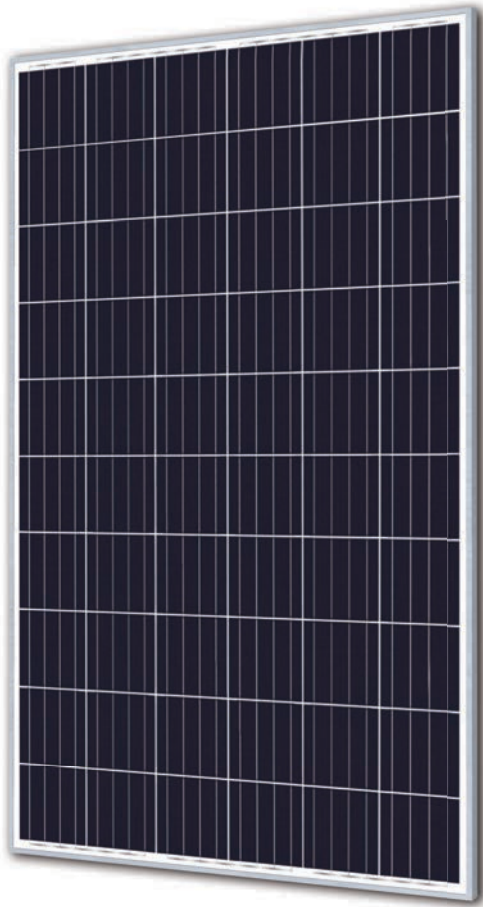


# FEATHER 2.0

## 60 CELL SERIES



### KEY FEATURES

---

**26%**

lighter

**10 years**

Material & workmanship warranty

**PID Free**

Certified by TUV Rheinland

**25 years**

Linear power output warranty

- 2 mm thin front glass and 30 mm thin frame
- Robust design: Certified to withstand up to 2400 Pa wind load and up to 5400 Pa snow load
- Fully automated production line: Better and more consistent product quality
- Four busbar cell: Improve the efficiency of modules

### QUALITY WARRANTY

---

TALESUN guarantees that defects will not appear in materials and workmanship defined by IEC61215, IEC61730 and UL1703 under normal installation, use and maintenance as specified in Talesun's installation manual for 10 years from the warranty starting date.



### ABOUT TALESUN

---

Talesun Solar Technologies Co., Ltd. is one of the world's largest integrated PV manufacturers. Its standard and high-efficiency product offerings are among the most powerful and cost-effective in the industry. With over 6 GW of modules installed globally, we are a leading solar energy company built upon proven product reliability and sustainable performance.

### PERFORMANCE WARRANTY

---

#### Polycrystalline Solar Cell Modules

- During the first year, TALESUN guarantees the nominal power output of the product will be no less than 97.5% of the labeled power output.
- From year 2 to year 24, the nominal power decline will be no more than 0.7% in each year; by the end of year 25, the nominal power output will be no less than 80.7% of the labeled power output.

# ELECTRICAL PARAMETERS

Model	FEATHER 2.0 TP660P			
Maximum Power (Pmax/W)	255	260	265	270
Operating Voltage (Vmpp/V)	30.2	30.6	31.0	31.3
Operating Current (Impp/A)	8.45	8.50	8.56	8.63
Open-Circuit Voltage (Voc/V)	37.5	37.9	38.2	38.5
Short-Circuit Current (Isc/A)	8.94	8.97	9.04	9.09
Module Efficiency $\eta_m(\%)$	15.7	16.0	16.3	16.6
Power Tolerance	0-+3%			
Temperature Coefficient	Pmax	-0.40%/C		
	Voc	-0.31%/C		
	Isc	+0.06%/C		
Noct	45±2 C			

\* STC: 1000w/ m<sup>2</sup>, 25 C, AM 1.5

# OTHER PARAMETERS

Cell Type	Poly Crystalline
Cell Dimensions	156*156mm(6inch)
Cell Arrangement	60(6*10)
Weight	14kg(30.8lbs)
Module Dimensions	1640*990*30mm(64.6*39.0*1.2inch)
Cable Length	900mm(35.4inch)
Cable Cross Section Size	4mm <sup>2</sup> (0.006sq.in)
Front Glass	2.0mm High Transmission, Tempered Glass
No. of Bypass Diodes	3/6
Packing Configuration (1)	35pcs/Pallet, 980pcs/40hq
Packing Configuration (2)	35pcs+6pcs/Pallet, 1064pcs/40hq
Frame	Anodized Aluminium Alloy
Junction Box	IP65/IP67

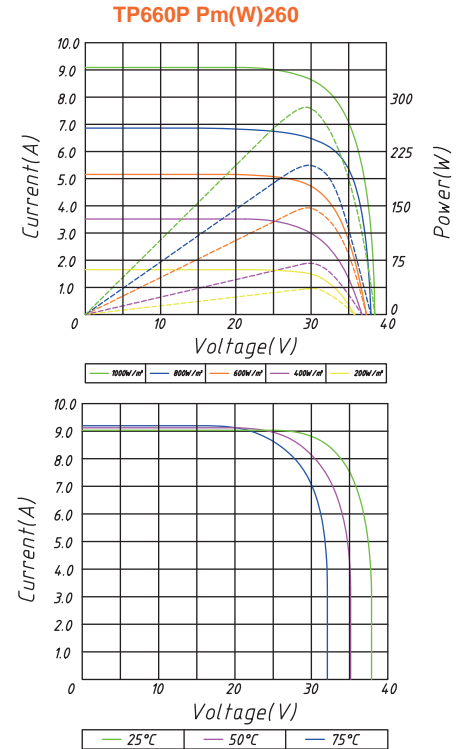
# OPERATING CONDITIONS

Maximum System Voltage	1000V/DC(IEC)
Operating Temp.	-40 C -+85 C
Maximum Series Fuse	15A
Static Loading	5400Pa
Conductivity at Ground	≤ 0.1Ω
Safety Class	II
Resistance	≥ 100MΩ
Connector	MC4 Compatible

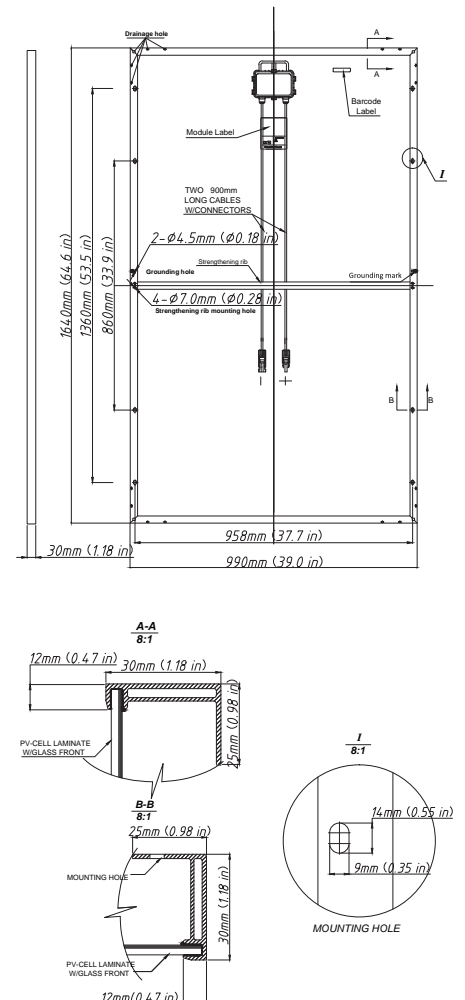
## TALESUN SOLAR TECHNOLOGIES CO.,LTD.

Email: sales@talesun.com Web: www.talesun.com Tel: + 86 400 885 1038

# I-V CURVE



# TECHNICAL DRAWINGS



Specifications subject to technical changes without notice. Talesun Solar Rev. 2016.12